



# Accessories

## Stainless Steel 50lt Mobile Bid with Lid

ITEM # \_\_\_\_\_

MODEL # \_\_\_\_\_

NAME # \_\_\_\_\_

SIS # \_\_\_\_\_

AIA # \_\_\_\_\_



132926 (NCVR50)

Stainless steel 50-lt Mobile Bin with lid

### Short Form Specification

Item No. \_\_\_\_\_

Manufactured in 304 AISI stainless steel. Fitted with 2 handles. Removable lid with handle.

### Main Features

- Sturdiness, stability and reliability of table accurately tested.
- Removable lid with two handles to facilitate the operations.

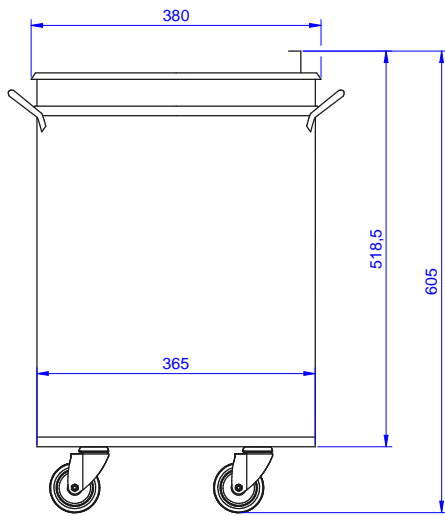
### Construction

- Constructed entirely in 304 AISI stainless steel.
- Developed and produced in ISO 9001 and ISO 14001 certified factory.

APPROVAL: \_\_\_\_\_



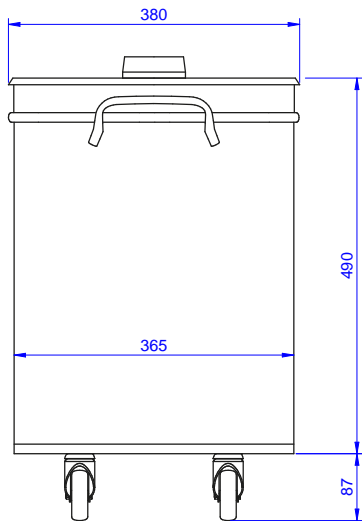
Front



**Key Information:**

External dimensions, Width:	
132926 (NCVR50)	380 mm
External dimensions, Depth:	427 mm
External dimensions, Height:	605 mm

Side



Top

